



Lucid PAR 58 | LED luminaire

The new Lucid PAR 58

This luminaire with E40 thread and a luminous system performance of up to 9,000 lm was especially designed for the replacement of HQL luminaires and is individually applicable. The high protection class makes it possible for all Lucid PAR 58 types to be used as spotlights both indoors and outdoors.

Scope of application:

Shops, and industrial lighting, system gastronomy, illumination of advertising billboards in outdoor areas etc.

The Lucid PAR 58 is available as a 120° version with opaque glass diffuser and as a 60° version with lense optics.

Optimization of energy consumption and costs:

The Lucid PAR 58 has a luminous efficacy of >105 lm/W, the result of applying the latest LED technology in combination with an optimally adapted power supply for a system with a very high efficiency.

Technology - LEDs and optical system:

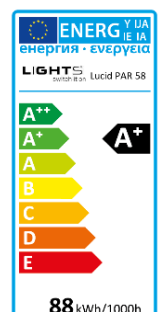
The integration of high-performance optics ensures the efficient realization of the luminous intensity required.

Apart from an optimum compatibility for the application of high-performance optics, the use of low-power LEDs shows the following advantages:

- Homogeneous area emission and improved light impression
- Simple glare control/compliance with photo-biological safety regulation IEC 62471 / VDE
- Improved effective temperature management of the luminaire, large-area heat dissipation
- Resulting in longer service life and optimised overall size

Luminous flux	9,437 lm
Luminous efficacy	up to 90 lm/W
EU 2013-label classification	A+
CRI/Ra	Ra > 80
Colour temperature	5,000 K
Beam angle	120°

CE   IP67



Item No.	Beam Angle	Diffuser	Housing Colour	Colour Temperature	CCT	CRI	Luminous Flux / Power
----------	------------	----------	----------------	--------------------	-----	-----	-----------------------

Lucid PAR 58 E40 | 120° Standard version

30171	120°	opaque	black	daylight white	5,000 K	Ra > 80	9,400 lm/88 W
-------	------	--------	-------	----------------	---------	---------	---------------

Additional versions (longer delivery times, higher minimum orders)

30170	120°	opaque	black	cold white	6,500 K	Ra > 80	9,400 lm/88 W
30172	120°	opaque	black	normal white	4,000 K	Ra > 80	9,400 lm/88 W
30173	120°	opaque	black	warm white	3,000 K	Ra > 80	9,000 lm/88 W

Lucid PAR 58 E40 | 60° Standard version

30176	60°	lens array	black	daylight white	5,000 K	Ra > 80	8,100 lm/84 W
-------	-----	------------	-------	----------------	---------	---------	---------------

Additional versions (longer delivery times, higher minimum orders)

30175	60°	lens array	black	cold white	6,500 K	Ra > 80	8,100 lm/84 W
30177	60°	lens array	black	normal white	4,000 K	Ra > 80	8,100 lm/84 W
30178	60°	lens array	black	warm white	3,000 K	Ra > 80	7,300 lm/84 W

Product Specifications

General Information

Product family:	Lucid PAR 58
Protection class:	I
IP code:	IP 67
Use / with ambient temperature:	-30°C to +40°C
Heat sink:	Powder-coated in black Stainless steel screws
Thread:	E40
Certification:	CE
Lifetime prediction:	120°/L90: 24.000 h 120°/L80: 52.000 h 60°/L90: 17.000 h 60°/L80: 36.000 h

Photometric Properties

Without optics:	120° opaque, wide-beam diffuser
With optics:	60° narrow angle
Colour temperature:	3,000 K / 4,000 K / 5,000 K / 6,500 K
Colour Rendering Index:	Ra > 80 (Ra > 70 and 90 on demand)

Electrical Specifications

Power:	120°: 88 W 60°: 84 W
Mains voltage:	100 - 240 V
Frequency:	50/60 Hz
Driver efficiency:	96% eff.

Material

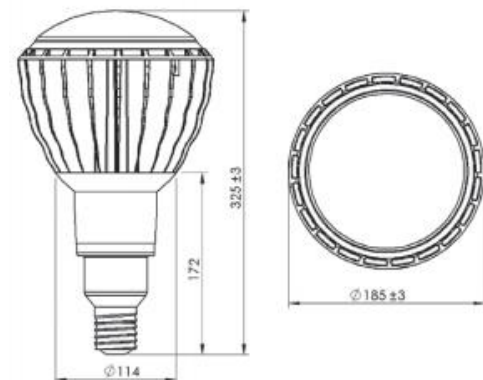
Housing:	Powder-coated aluminium
Optics:	Polycarbonate (PC)
Dimensions:	120°: ø 185 x 325 mm 60°: ø 185 x 295 mm
Net weight:	approx. 1,700 g
Packaging units:	6 pieces

Accessories

Protection system included

Dimensions

Lucid PAR 58 120° E40



Lucid PAR 58 60° E40

